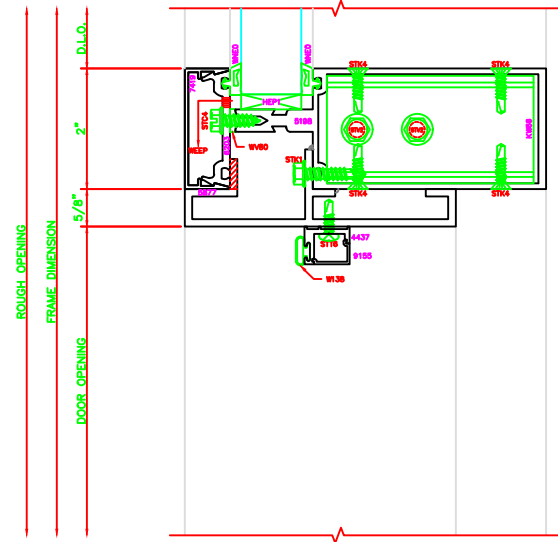


866	HEAD
	5600
	6"

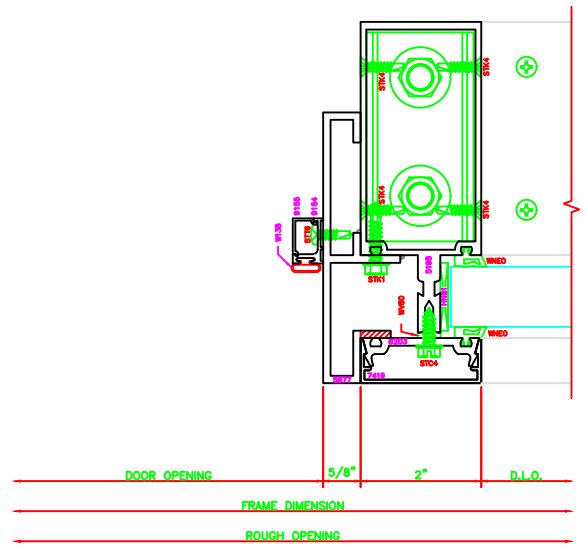
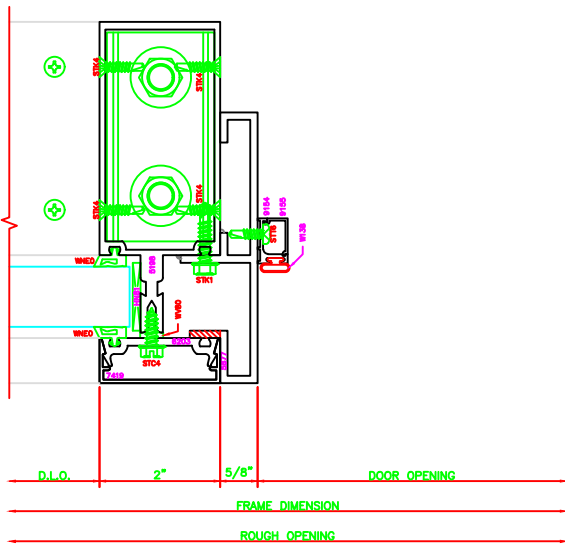
ERASE NOTE:
OUTSWING HEAD FOR SURFACE
CLOSERS



869	HEAD
	5600
	6"

870	JAMB
	5600
	6"

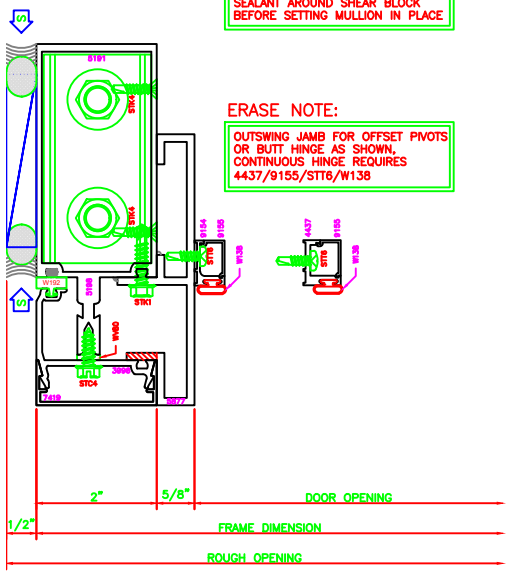
871	JAMB
	5600
	6"



867	JAMB
	5600
	6"

ERECTOR NOTE:
APPLY CONTINUOUS BEAD OF
SEALANT AROUND SHEAR BLOCK
BEFORE SETTING MULLION IN PLACE

ERASE NOTE:
OUTSWING JAMB FOR OFFSET PIVOTS
OR BUTT HINGE AS SHOWN,
CONTINUOUS HINGE REQUIRES
4437/9155/STT6/W138



868	JAMB
	5600
	6"

